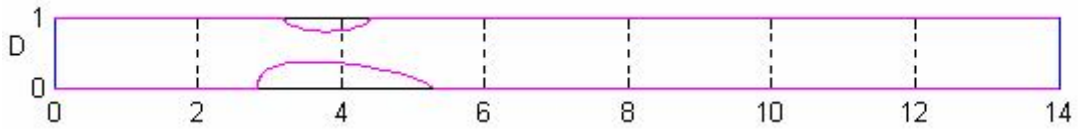


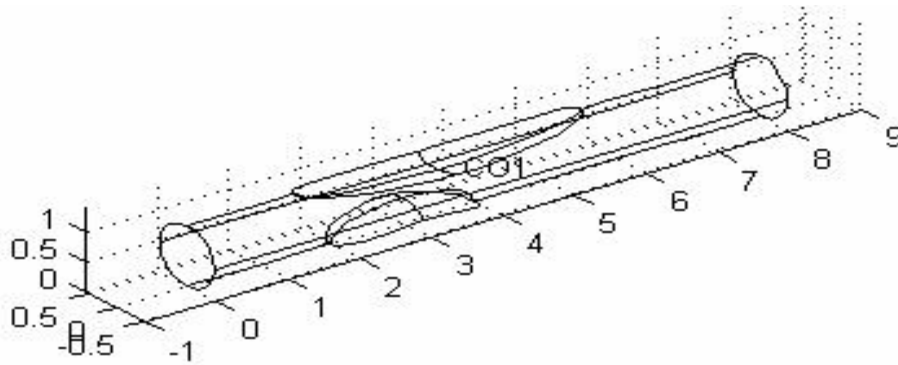
OpenFoam.

30%.

1 2



.1.



.2.

Salome Meca ParaView.

Linux-

$$\frac{\partial u}{\partial t} + u \frac{\partial u}{\partial x} + w \frac{\partial u}{\partial z} = -\frac{\partial P}{\partial x} + \frac{1}{\text{Re}} \left(\frac{\partial^2 u}{\partial x^2} + \frac{\partial^2 u}{\partial z^2} \right) \quad (1)$$

$$\frac{\partial w}{\partial t} + u \frac{\partial w}{\partial x} + w \frac{\partial w}{\partial z} = -\frac{\partial P}{\partial z} + \frac{1}{\text{Re}} \left(\frac{\partial^2 w}{\partial x^2} + \frac{\partial^2 w}{\partial z^2} \right) \quad (2)$$

$$\frac{\partial u}{\partial x} + \frac{\partial u}{\partial z} = 0 \quad (3)$$

$$\text{Re} = \frac{U \cdot D}{\epsilon}$$

$$\frac{\partial u}{\partial t} + u \frac{\partial u}{\partial y} + v \frac{\partial u}{\partial z} + w \frac{\partial u}{\partial z} = -\frac{\partial P}{\partial x} + \frac{1}{\text{Re}} \left(\frac{\partial^2 u}{\partial x^2} + \frac{\partial^2 u}{\partial y^2} + \frac{\partial^2 u}{\partial z^2} \right) \quad (4)$$

$$\frac{\partial v}{\partial t} + u \frac{\partial v}{\partial x} + v \frac{\partial v}{\partial z} + w \frac{\partial v}{\partial z} = -\frac{\partial P}{\partial y} + \frac{1}{\text{Re}} \left(\frac{\partial^2 v}{\partial x^2} + \frac{\partial^2 v}{\partial y^2} + \frac{\partial^2 v}{\partial z^2} \right) \quad (5)$$

$$\frac{\partial w}{\partial t} + u \frac{\partial w}{\partial y} + v \frac{\partial w}{\partial z} + w \frac{\partial w}{\partial z} = -\frac{\partial P}{\partial z} + \frac{1}{\text{Re}} \left(\frac{\partial^2 w}{\partial x^2} + \frac{\partial^2 w}{\partial y^2} + \frac{\partial^2 w}{\partial z^2} \right) \quad (6)$$

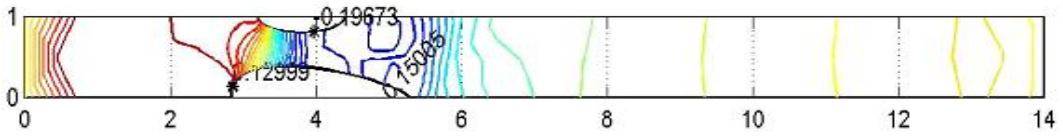
$$\frac{\partial u}{\partial x} + \frac{\partial v}{\partial y} + \frac{\partial w}{\partial z} = 0 \quad (7)$$

[9]

$$Re = \frac{U \cdot D}{\epsilon}$$

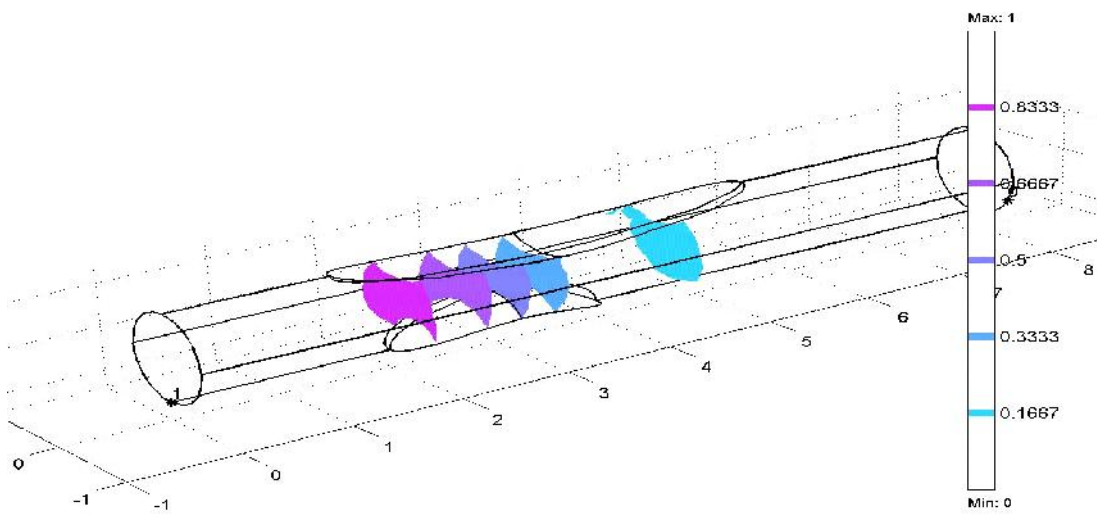
[2,3,5],

3 4,



3.

$\dagger = 48.5$,



4.

2. - - - - -
- - - - -
/ . . .
//
« - - - - -
» . . .
- 2003. - . 18-21.
3. - - - - -
/ . . . , . . . -
; , . . . // -
.- 2001.-. 2-3.-C. -139.
4. / . . . , . . . -
, . . . : , 1981. - 624 .
5. . . .
.: - 1965. - 328 .
6. . . . , . . . -
- - - - - : -
., 2008. - 212 .
7. Epidemiología de los subtipos de ictus en
pacientes hospitalizados atendidos por neurólogos:
resultados del registro EPICES (I) / S. Arias-Rivas, J.
Vivancos-Mora, J. Castillo et al. // Rev. Neurol. - 2012 .
- Vol.54.- 1. - P.385-393.
8. Risk factors, outcome, and treatment in sub-types
of ischemic stroke: the German stroke data bank / A.J.
Grau, C. Weimar, F. Buggle et al. // Stroke.- 2001. - 32. -
P. 2559-2566.
9. Rockman Caron B. Focused screening for occult
carotid artery disease: Patients with known heart disease
are at high risk / Rockman Caron B., Jacobowitz Glenn
R., Gagne Paul et al. // JVS.-2004.-V.39.-N.1.-P.44-50.
.- 2011. - 1. - .48-56.