

## ОБЩИЕ ВОПРОСЫ АВТОМОБИЛЬНОГО ТРАНСПОРТА

УДК 539.5 = 111

SYNTHESIS OF VISCOELASTIC MATERIAL  
MODELS (SCHEMES)

V. Bogomolov, Prof., D. Sc. (Eng.), I. Raznitsyn, Assoc. Prof., Ph. D. (Phys.-Math.),  
S. Bogomolov, Eng.,  
Kharkiv National Automobile and Highway University

*Abstract.* The principles of structural viscoelastic schemes construction for materials with linear viscoelastic properties in accordance with the given experimental data on creep tests are analyzed. It is shown that there can be only four types of materials with linear visco-elastic properties.

*Key words:* viscoelastic model, structural scheme, Hooke element, Newton element, Maxwell model, Kelvin model.

## СИНТЕЗ ВЯЗКОУПРУГИХ МОДЕЛЕЙ (СХЕМ) МАТЕРИАЛОВ

В.А. Богомолов, проф., д.т.н., И.Л. Разницын, доц., к. ф-м. н., С.В. Богомолов, инж.,  
Харьковский национальный автомобильно-дорожный университет

*Аннотация.* Рассмотрены принципы построения структурных вязкоупругих схем для материалов с линейными вязкоупругими свойствами по заданным экспериментальным данным при испытаниях на ползучесть.

*Ключевые слова:* вязкоупругая модель, структурная схема, звено Гука, звено Ньютона, модель Максвелла, модель Кельвина.

## СИНТЕЗ В'ЯЗКОПРУЖНИХ МОДЕЛЕЙ (СХЕМ) МАТЕРІАЛІВ

В.О. Богомолов, проф., д.т.н., І.Л. Разніцин, доц., к. ф-м. н., С.В. Богомолов, інж.,  
Харківський національний автомобільно-дорожній університет

*Анотація.* Розглянуто принципи побудови структурних в'язкопружних схем для матеріалів з лінійними в'язкопружними властивостями за заданими експериментальними даними при випробуваннях на повзучість.

*Ключові слова:* в'язкопружна модель, структурна схема, ланка Гука, ланка Ньютона, модель Максвелла, модель Кельвіна.

## Introduction

The stress-strain state modelling of the material with the viscoelastic output characteristics always reveals a question: which rheological model is the most relevant to describe the properties of this material based on the experiment data, for example, creep tests.

## State of the art

This problem is not trivial and up to now researchers have to take quite controversial decisions that sometimes even contradict each other. For example, there are more than a dozen of rheological schemes with different structures offered in a specialized literature in the field of asphaltic concrete [1–5].

In many cases such a state makes it difficult to receive comparable results by different authors.

**Goal and objective**

The main task solved in this paper is the creation of an integrated methodology describing the process of viscoelastic material models (schemes) creation based on the experimental data sets.

Expertise of conducting such researches shows that the creep diagrams are the most suitable to be used in order to achieve the stated goal [1, 4].

**Creep diagram**

Usually, there are three specimen loading modes that can be used to get the creep diagram [1–4]:

- axial compression;
- axial tension;
- shear (torsion).

A typical creep diagram is shown in Fig. 1 [1–4].

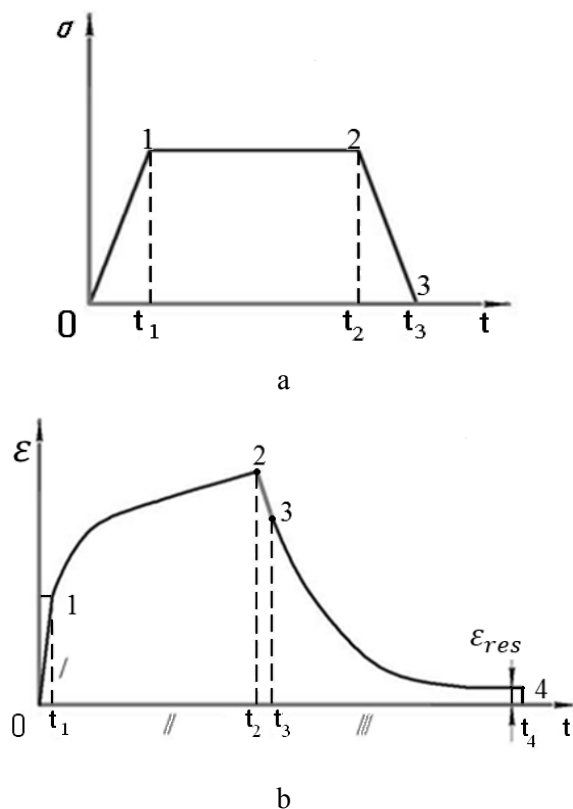


Fig. 1. A typical creep diagram: a – stress over time; b – deformation over time; (0– $t_1$ ), ( $t_2$ – $t_3$ ) – regions with mainly elastic deformations; ( $t_1$ – $t_2$ ) – creep region; ( $t_3$ – $t_4$ ) – region of smooth deformation decrease;  $\epsilon_{res}$  – residual deformations

For the sake of convenience, for the further analysis it will be accepted that application and removal of the load happen instantaneously, which means that

$$t_1 = 0 \text{ and } t_2 = t_3, \tag{1}$$

which is acceptable when  $t_2 \gg t_1$ .

**Possible types of the diagrams**

It is well known [5-8] that the total deformation of the material shown in Fig. 1b can be described with the following relation

$$\epsilon_t = \epsilon_b(t) + \epsilon_v(t) + \epsilon_{irr}(t), \tag{2}$$

where  $\epsilon_b(t)$  – reversible elastic deformations;  $\epsilon_v(t)$  – reversible viscoelastic deformations;  $\epsilon_{irr}(t)$ , – irreversible (residual) deformations.

Depending on the presence or absence of one or another component, (2) can describe eight different material models (schemes), see Table 1.

Table 1 – Types of viscoelastic models

Type	$\epsilon_b(t)$	$\epsilon_v(t)$	$\epsilon_{irr}(t)$
1	+	+	+
2	–	+	+
3	+	–	+
4	–	–	+
5	+	+	–
6	–	+	–
7	+	–	–
8	–	–	–

In the Table 1:

- «+» means presence of the corresponding component;
- «–» means absence of the corresponding component.

Absence of regions (0– $t_1$ ) and ( $t_2$ – $t_3$ ) in Fig. 1b, 2b is a sign of the reversible elastic component absence. Linear growth of  $\epsilon(t)$  when  $\sigma = \text{const}$  and absence of the region ( $t_3$ – $t_4$ ) with the smooth decline of  $\epsilon(t)$  in the Fig. 1b, 2b is a sign of the reversible viscoelastic deformations component absence.

**Synthesis of the simplest models**

Taking into account (1), the graphs from Fig. 1 will transform to what is shown in Fig. 2.

Material model type 8 in the table 1 has no physical meaning, hence it is not considered below. Material model types 3, 4 and 7 can be obtained using only the simplest viscoelastic and Maxwell elements [9] (Fig. 3, 4). The output characteristics of the models (schemes) shown in Fig. 3, subjected to loading law shown in Fig. 2a, are presented in Fig. 4.

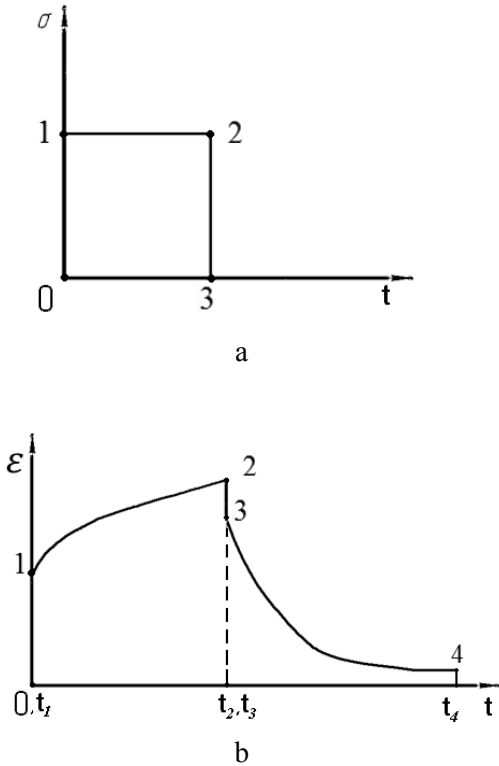


Fig. 2. Creep diagram with the «instantaneous» application and removal of the load: a – loading force; b – deformation

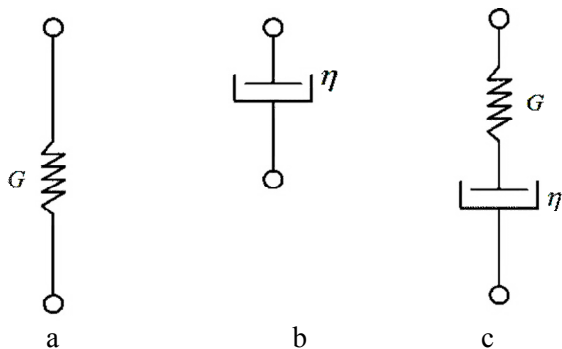


Fig. 3. The simplest elements and Maxwell element  $G$ ,  $\eta$  – elastic and viscous characteristics of corresponding elements: a – Hooke element as an implementation of the model type 7; b – Newton element as an implementation of the model type 4; c – Maxwell element as an implementation of the model type 3

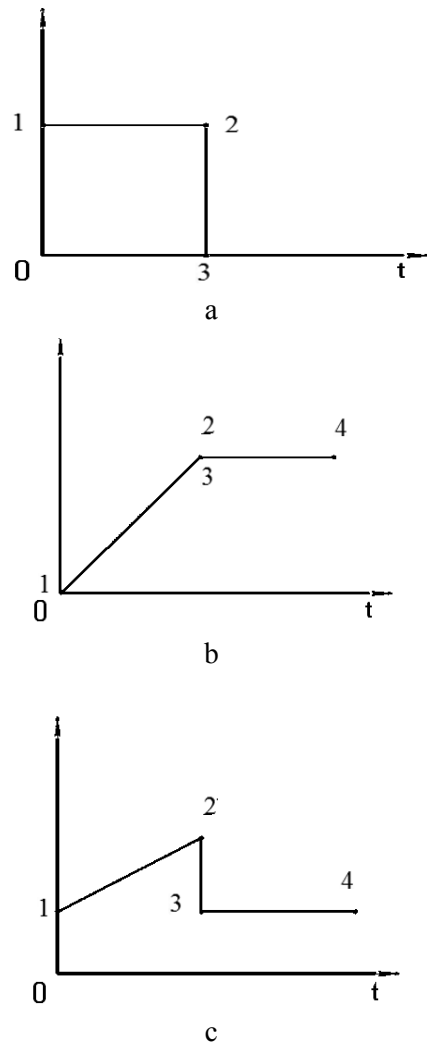


Fig. 4. The output characteristics of the simplest viscoelastic material models: a – for the model in Fig. 3a; b – for the model in Fig. 3b; c – for the model in Fig. 3c

**Synthesis of models using generalized Maxwell and Kelvin models**

The models 1, 2, 5 and 6 require reversible viscoelastic deformations so they can be described using the generalized Maxwell and Kelvin models shown in Fig. 5.

Why these models? According to [10], the linear structural model of any complexity can be reduced to a generalized Maxwell model. But there can be made one more conclusion based on the results of [10, 11]: both, complete and incomplete generalized Maxwell models can be transformed into the equivalent generalized Kelvin models and vice versa.

Another advantage of these models is their relatively simple mathematical formulation [11, 12].

The correspondence table between the transformations of these structures can be obtained from

their classification [10] (Fig. 6, 7). In this way, all model types from Table 1 are defined.

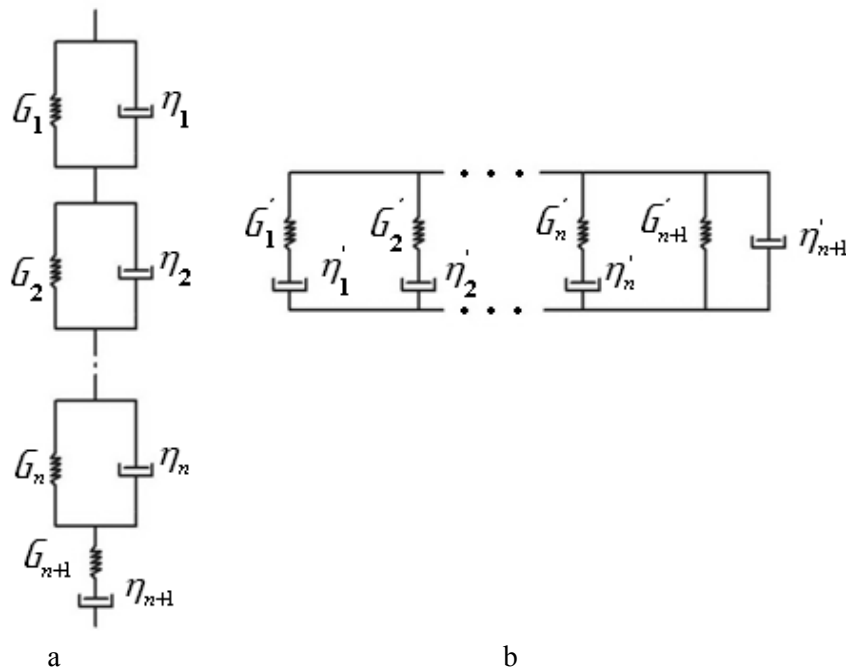


Fig. 5. Complete generalized models: a – Kelvin; b – Maxwell

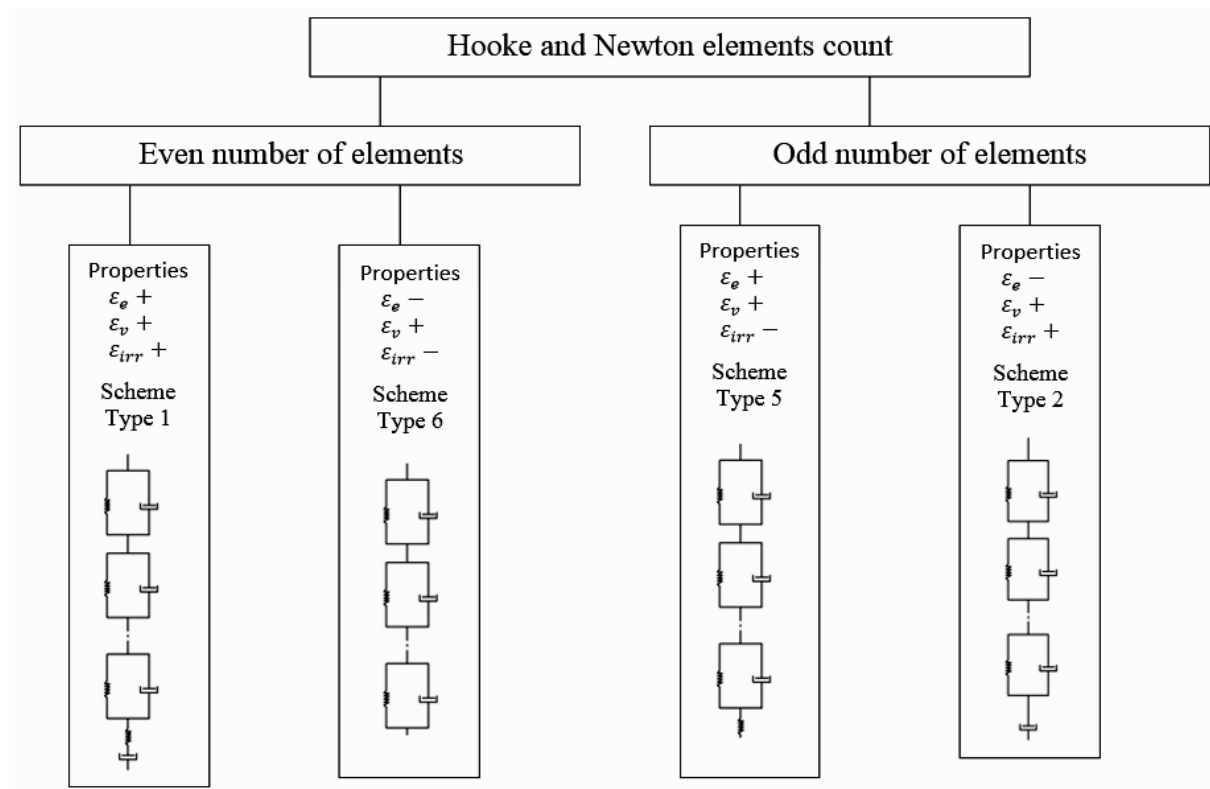


Fig. 6. Classification of the generalized Kelvin models

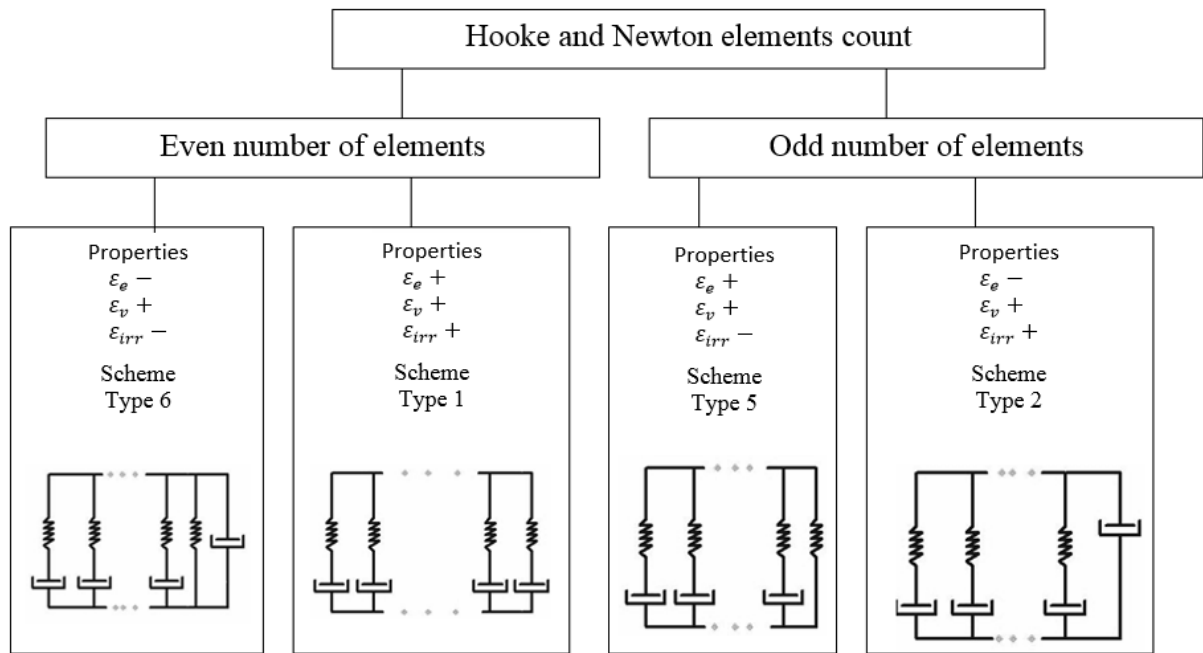


Fig. 7. Classification of the generalized Maxwell models

Table 2 Equivalent generalized Kelvin and Maxwell schemes

Scheme type	Generalized Kelvin scheme	Generalized Maxwell scheme	Output characteristics under load law shown in Fig. 2a
1			
2			
5			
6			

### Conclusions

1. The methodology of viscoelastic models (schemes) synthesis based on the experimental characteristics of the material under the creep load is offered.
2. The generalized Kelvin and Maxwell models classification is offered.
3. There are seven types of rheological models offered depending on the experiment data.

### Литература

1. Шульман З.П. Реофизика конгломератных материалов / З.П. Шульман, Я.Н. Ковалев, Э.А. Зальцгендлер. – Минск: Наука и техника, 1978. – 240 с.
2. Богуславский А.М. Основы реологии асфальтобетона / А.М. Богуславский, Л. Богуславский; под общ. ред. д.т.н., проф. Н.Н. Иванова. – М.: Высшая школа, 1972. – 200 с.
3. Зальцгендлер Э.А. Реологические свойства и поведение асфальтового бетона при сложном нагружении / Э.А. Зальцгендлер, Я.Н. Ковалев // Реофизика: сб. науч. трудов. – 1977. – С. 112–117.
4. Золотарев В.А. Исследование свойств асфальтобетонов различной макроструктуры: дис. ... канд. техн. наук: 05.23.05 / Золотарев Виктор Александрович. – Харьков, 1967. – 208 с.
5. Радовский Б.С. Теоретические основы конструирования и расчета нежестких дорожных одежд на воздействие подвижных нагрузок: автореф. дис. на соиск. учен. степ. д-ра техн. наук: спец. 05.22.03. «Изыскания и проектирование железных дорог и автомобильных дорог» / Б.С. Радовский. – М., 1982. – 35 с.
6. Безухов Н.И. Основы теории упругости, пластичности и ползучести / Н. И. Безухов. – М.: Высшая школа, 1968. – 512 с.
7. Самуль В.И. Основы теории упругости и пластичности / В.И. Самуль. – М.: Высшая школа, 1982. – 264 с.
8. Богомолов В.О. Щодо необхідності розробки нової методики розрахунку напружено-деформованого стану дорожнього одягу / В.О. Богомолов, В.К. Жданюк, С.В. Богомолов // Автошляховик України. – 2011. – №1(219). – С. 23–26.
9. Богомолов В.А. Простейшие звенья линейной пространственной реологической модели асфальтобетона / В.А. Богомолов, В.К. Жданюк, С.В. Богомолов

- // Автомобильный транспорт: сб. науч. тр. – 2010. – Вып. 27. – С. 157–162.
10. Богомолов В.А. Универсальный метод составления линейных вязкоупругих структурных моделей / В.А. Богомолов, В.К. Жданюк, С.В. Богомолов // Автомобильный транспорт: сб. науч. тр. – 2011. – Вып. 28. – С. 125–131.
  11. Богомолов В.А. Общий метод получения дифференциальных зависимостей деформаций от напряжений для линейных реологических 3-D моделей / В.А. Богомолов, В.К. Жданюк, С.В. Богомолов // Вестник ХНАДУ: сб. науч. тр. – 2011. – Вып. 52. – С. 54–59.
  12. Богомолов В.А. Общий подход к решению линейных, трехмерных, вязкоупругих обобщенных моделей Максвелла / В.А. Богомолов, В.К. Жданюк, С.В. Богомолов // Вестник ХНАДУ: сб. науч. тр. – 2011. – Вып. 54. – С. 153–158.

### References

1. Shulman Z.P., Kovalev Ya.N., Zaltsgendler E.A. Reofizika konglomeratnykh materialov [Rheophysics of the Conglomerate Materials]. Minsk, Nauka i tehnika Publ., 1978. 240 p. (rus).
2. Boguslavskiy A., Boguslavskiy L. under the general editorship of Doctor of Technical Science, Professor Ivanova N.N. Osnovy reologii asfaltobetona [The Fundamentals of the Rheology of the Asphalt Concrete]. Moscow, Vysshaya Shkola Publ., 1972. 199 p. (rus).
3. Zaltsgendler E.A., Kovalev Ya.N. Reologicheskiye svoystva i povedeniye asfaltovogo betona pri slozhnom nagruzhenii [Rheologic Properties and Behaviour of the Asphalt Concrete at a Multiaxial Load]. *Reofizika: collection of scientific papers*, 1977. pp. 112–117 (rus).
4. Zolotaryov V.A. *Issledovaniye svoystv asfaltobetonov razlichnoy makrostruktury*. Diss. kand. techn. nauk: 05.23.05 [The Investigation of the Properties of Asphalt Concretes of Different Macrostructure]. Kharkov, 1967. 207 p. (rus).
5. Radovskiy B.S. *Teoreticheskiye osnovy konstruirovaniya i raschyota nezhyostkikh dorozhnykh odezhd na vozdeystviye podvizhnykh nagruzok*. Avtoref. diss. na soiskanie uch. stepeni doc. techn. nauk: spets. 05.22.03 «Izyskaniya i proektirovanie zheleznykh dorog i avtomobiknykh dorog

- [The Tejratical Fundamentals of the Construction and Computation of the Flexible Pavement on the Forcing of the Movable Load]. Moscow, 1982. 35 p. (rus).
6. Bezukhov N.I. Osnovy teorii uprugosti, plastichnosti i polzuchesti [The Fundamentals of the Theory of Elasticity, Plasticity and the Creep] Moscow Vysshaya Shkola Publ. 1968. 512 p. (rus).
  7. Samul V.I. Osnovy teorii uprugosti i plastichnosti [The Fundamentals of the Theor of Elasticity and Plasticity]. Moscow, Vysshaya Shkola Publ., 1982. 264 p. (rus).
  8. Bogomolov V.O., Zhdanyuk V.K., Bogomolov S.V. Shodo neobkhidnosti rozrobky novoi metodyky rozrakhunku napruzhenno-deformovanogo stanu dorozhnyogo odyagu [About the Necessity of the Development of the New Methodology for the Calculation of the Stress-Strain State of the Road Pavement]. *Avtoshlyakhovyk Ukrainy*, 2011, vol. 1 (219). pp. 23–26. (rus).
  9. Bogomolov V.A., Zhdanyuk V.K., Bogomolov S.V. Prosteyshiye zvenya lineynoy prostranstvennoy realogicheskoy modeli asfaltobetona [Elementary Units of the Linear Solid Rheologic Model]. *Avtomobilnyy transport: sb. nauch. tr.*, 2010, vol. 27. pp. 157–162 (rus).
  10. Bogomolov V.A., Zhdanyuk V.K., Bogomolov S.V. Universalniy metod sostavleniya lineynykh vyazko-uprugikh strukturnykh modeley [Universal Method of the Construction of the Linear Visco-Elastic Structural Models]. *Avtomobilnyy Transport: sb. nauch. tr.*, 2011, vol. 28. pp. 125–131 (rus).
  11. Bogomolov V.A., Zhdanyuk V.K., Bogomolov S.V. Obshiy metod polucheniya differentsyonalnykh zavisimostey deformatsiy ot napryazheniy dlya lineynykh realogicheskikh 3-D modeley [General Method of the Acquisition of the Differential Relationship of the Deformations from the Strains for the Linear Rheologic 3-D Models] *Vestnik KhNAHU: sb. nauch. tr.*, 2011, vol. 52. pp. 54–59 (rus).
  12. Bogomolov V.A., Zhdanyuk V.K., Bogomolov S.V. Obshiy podkhod k resheniyu lineynykh, tryokhmernykh, vyazko-uprugikh obobshyonnykh modeley Makswella [General Approach to the Solving the Linear, Third Dimensional, Viscoelastic Generalized Maxwell Models]. *Vestnik KhNAHU: sb. nauch. tr.*, 2011, vol. 54. pp. 153–158 (rus).
- Рецензент: В.А. Золотарёв, профессор, д.т.н., ХНАДУ.
- Статья поступила в редакцию 15 сентября 2014 г.
-