

681.5

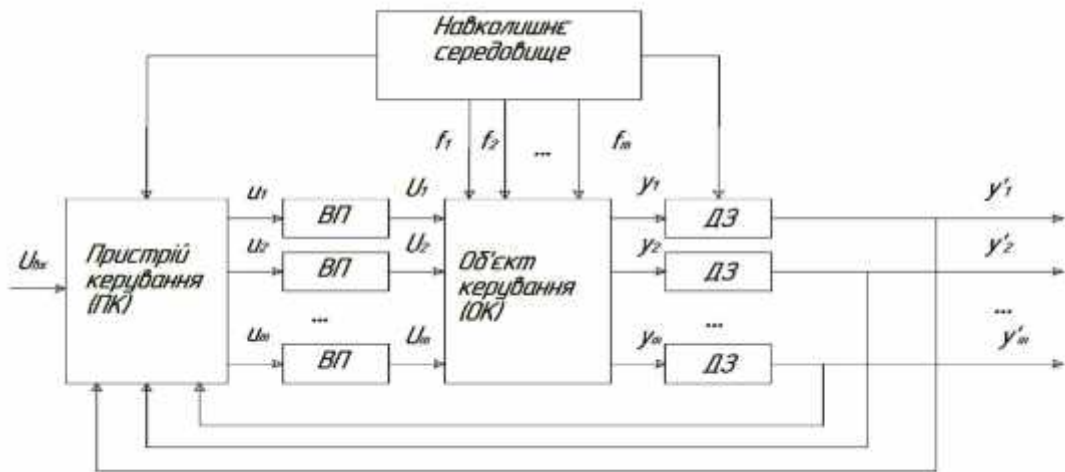
...

[1].

( )

( )

( ) ( .1.1).



.1.1.

( ), ( ), ( )

[2]. ( ) ( ) ( ).  
( .1.2),

( )  
U .

( ).

( )

( ),

( ),

( ), -  
( ).

( ),

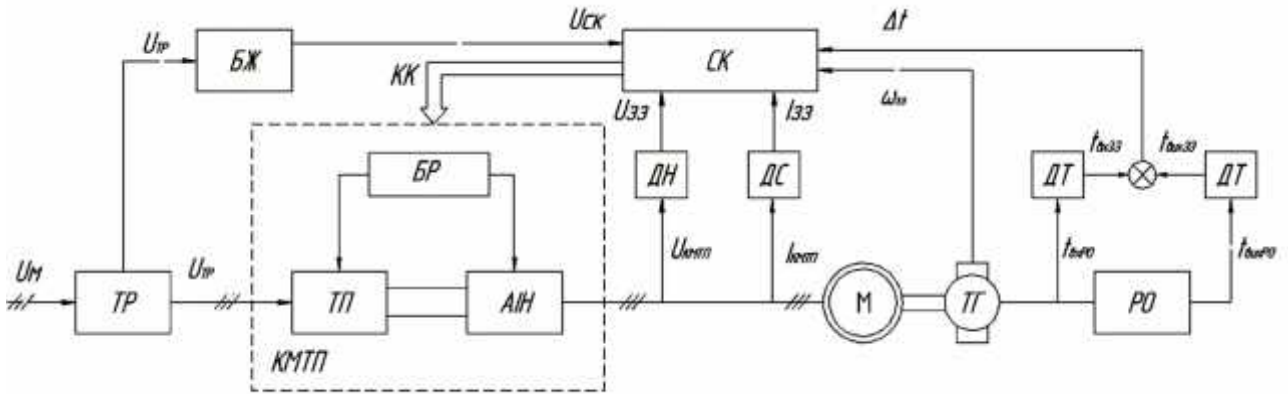
( ). ,

( ).  
( ), -

t

t,

U ,



. 1.2.

t

3. ( 7.092202 “ ”) , 2006 – 187 .
1. / : 2001.-224 . 11.11.2012
2. : - , . . . . , 2005. - 336 .

**AUTOMATIC CONTROL ROTARY-SLICK DEVICE**

N.V. Pugach, V.O. Skakun

*This article describes the automatic control rotary-slick system, developed a functional diagram of the control system rotary-slick apparatus is disclosed the meaning of his work in the most effective manner.*

**Keywords:** *automatic control, rotary-slick apparat, functional diagram, system circuit RSA thyristor*